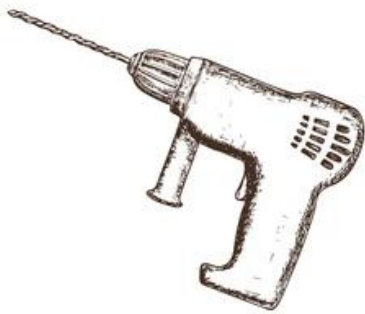
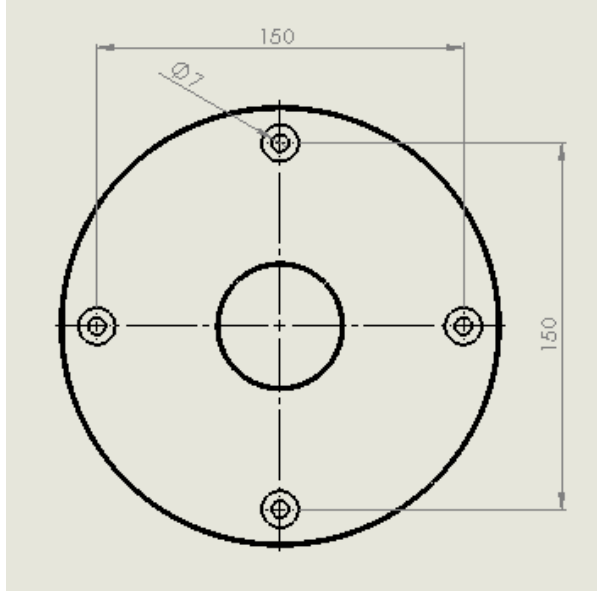


Mounting Instruction for: Wall bracket ENL.WB.60

1.



Drill 4 holes after drawing.



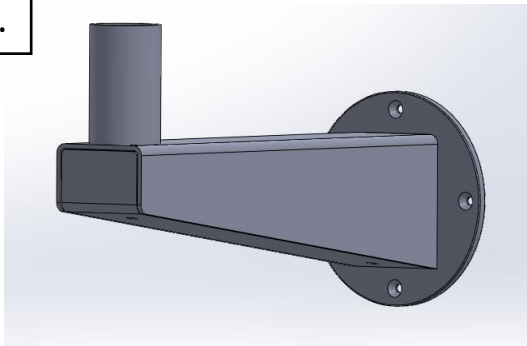
Drawing

2.



4 x plugs

4.



3.



Min. Ø6x50.

5.

